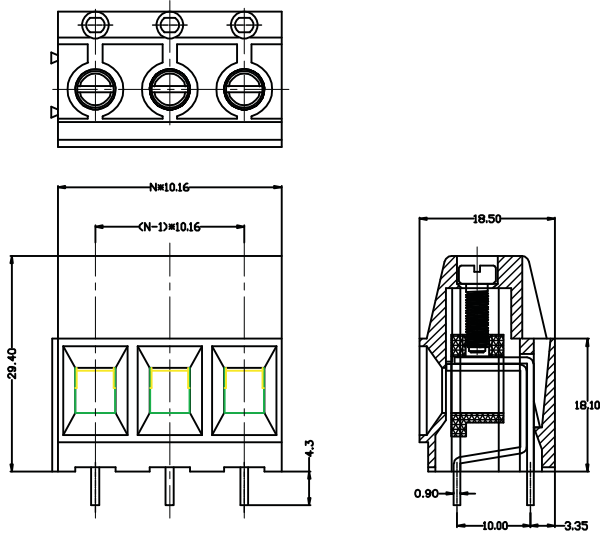


RoHS Compliant

Customer Drawing

REV.	ECN NO.	DESCRIPTION	DATE	DESIGN

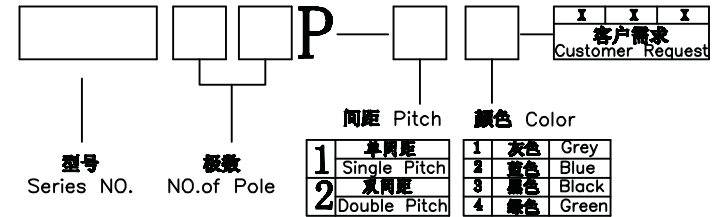


·材质及电镀(Material)
 螺丝(Screw):M4,铜,镀锌(steel, zinc Plated)
 触点(Contact):黄铜,镀锡(Brass, NI plated)
 焊片(Pin leader):黄铜,镀锡(Brass, Tin plated)
 器件(Housing): PA66, UL94V-0

·电气性能(Electrical)
 额定电压(Rated Voltage): 600V
 额定电流(Rated Current): 50A
 接触电阻(Contact Resistance): 20mΩ
 绝缘电阻(Insulation Resistance): 5000MΩ/1000V
 耐电压(Withstanding Voltage): AC3000V/1Min
 使用线径(Wire Range): 20-6 AWG 10mm²

·机械性能(Mechanical)
 温度范围(Temperature Range): -40℃~+105℃
 瞬时温度(MAX Soldering): +250℃, 5秒(5 Seconds)
 扭矩(Torque): 1.2Nm(10.6lb.in)
 剥线长度(Strip length): 10mm

订购方式/HOW TO ORDER



Contact Us


TEL: +86 - 574 - 63510149

FAX: +86 - 574 - 63516735

E-Mail: Sales@cxsuteng.com

Website: www.cxsuteng.com

N=No. of contacts

公差一览表 TOLERANCE UNLESS OTHERWISE				 慈溪市速腾电子有限公司 CIXI SUTENG ELECTRONIC CO., LTD					
X.	±0.25	X°	±5°	单位 UNITS	mm	制图 DRAWING	No.01	产品名称 TITLE	ST136-10.15
.X	±0.20	.X°	±2°	角法 VIEW	第三角	设计 DESIGN	No.06	产品编号 PART NO.	ST136-10.15
.XX	±0.15	.XX°	±1°	比例 SCALE	1:1	审核 CHKD		图号 DRAW NO.	ST136-10.15
.XXX	±0.02	.XXX°	±0.5°	日期 DATE	2012. 07. 10	版本 APPD	A0		ST136-10.15